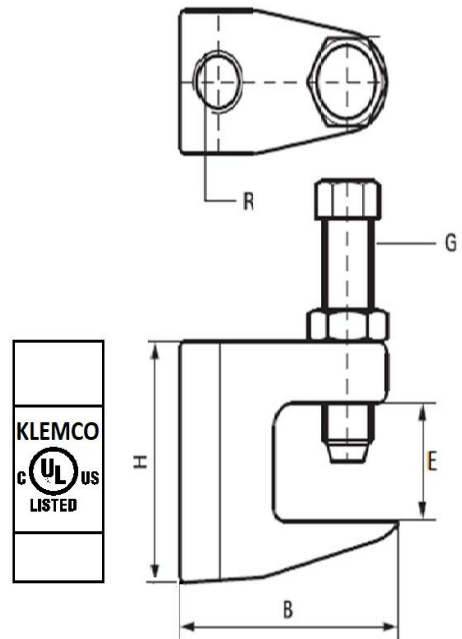
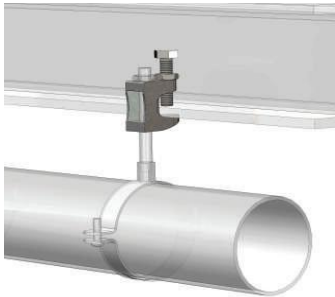




UL BEAM CLAMP

FEATURE AND BENEFITS

- * For sprinkler systems, heating, ventilation and air conditioning, acoustic tubes and sanitary installations
- * Hexagon threaded head screw DIN938
- * Threaded with Cup Point (RS) according to EN ISO 4753 and lock nut
- * For a solid fixing to steel connections upto 22mm flange thickness without welding or drilling
- * Material: - Malleable Iron, ASTM A47 Grade 32510
- * Electrogalvanized casting tolerance according to DIN 1684



Product Code	Size (G)	Rod (R)	B	E	Height (H)	Max Load (N)	Microns (μ)	Box Quantity
			mm	mm	mm			
Metric Size								
KLEPBM10	M10	M10	50	21	47	6672	8 - 15	100

