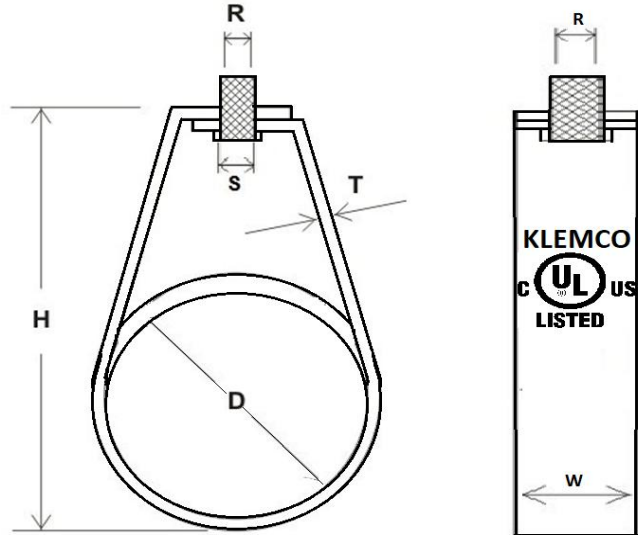




ELECTROPLATED SPRINKLER HANGER (LOOP HANGER)

FEATURES AND BENEFITS

- * For use in fire fighting and sprinkler installations.
- * Easy to install and adjust, without tools.
- * High load capacity due to one piece design
- * Knurled swivel nut to adjust vertical pipe alignment during and after installation
- * Material Mild steel, other materials on request
- * Electrogalvanized as per ASTM B 633
- * Designed to meet MSS Standard SP 58 type 10 and SP 69.



Product Code	Nominal Pipe Size		Pipe OD (D) mm	Height (H) mm	Hanger Rod (R)		Max TESTED Load (N)	Microns (μ) EP	Microns (μ) HDG	Box Quantity
	Inches.	(mm)			inches	mm				
KLEPSH027	¾"	DN20	26.7	61	3/8"	M10	3336	12.7 +	70 - 80	350
KLEPSH034	1"	DN25	33.4	70	3/8"	M10	3336	12.7 +	70 - 80	300
KLEPSH042	1 ¼"	DN32	42.1	78	3/8"	M10	3336	12.7 +	70 - 80	250
KLEPSH048	1 ½"	DN40	48.2	84	3/8"	M10	3336	12.7 +	70 - 80	200
KLEPSH060	2"	DN50	60.3	102	3/8"	M10	3336	12.7 +	70 - 80	150
KLEPSH073	2 ½"	DN65	73	118	3/8"	M10	3781	12.7 +	70 - 80	125
KLEPSH090	3"	DN80	88.9	144	3/8"	M10	4670	12.7 +	70 - 80	80
KLEPSH114	4"	DN100	114.3	176	3/8"	M10	6672	12.7 +	70 - 80	60
KLEPSH168	6"	DN150	168.3	262	1/2"	M12	11787	12.7 +	70 - 80	25
KLEPSH219	8"	DN200	219.1	305	1/2"	M12	18014	12.7 +	70 - 80	12

NOTE:-

1). WITH OR WITHOUT NUT OPTION AVAILABLE.



www.klemco.in