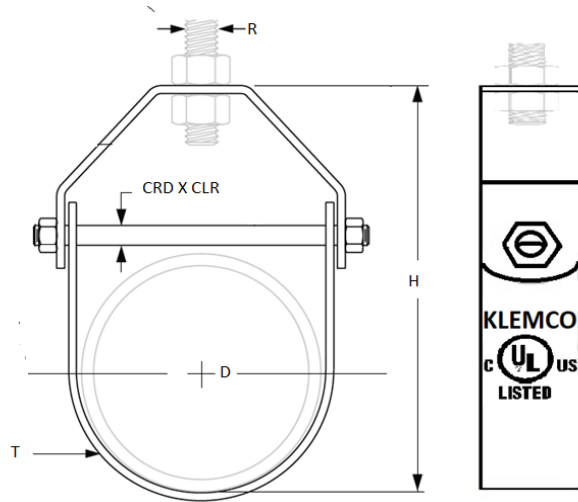




UL CLEVIS HANGER

FEATURE AND BENEFITS

- * Designed for chilled water pipe work and fire fighting systems
- * Design permits vertical adjustment of pipe after installation
- * Hanger load nut above clevis must be tightened securely to ensure proper hanger performance
- * Material: -Steel, other materials on request
- * Electro galvanized as per ASTM B 633.
- * Designed to meet MSS standard SP-58, type 1 and SP - 69



Product Code	Nominal Pipe Size		Pipe OD (D) mm	Height (H) mm	Top Hole Dia mm	Hanger Rod (R) Size (mm)	Cross Bolt Dia. (CRD)	Max Tested Load (N)	Microns (μ) EP	Microns (μ) HDG	Box Quantity
	In.	mm									
KLEPCH027	¾"	DN20	26.7	85.0	11	M10	M8	3336	12.7 +	70 - 90	300
KLEPCH034	1"	DN25	33.4	99.0	11	M10	M8	3336	12.7 +	70 - 90	250
KLEPCH042	1 ¼"	DN32	42.1	107.0	11	M10	M8	3336	12.7 +	70 - 90	150
KLEPCH048	1 ½"	DN40	48.2	109.0	11	M10	M8	3336	12.7 +	70 - 90	150
KLEPCH060	2"	DN50	60.3	128.0	11	M10	M8	3336	12.7 +	70 - 90	100
KLEPCH073	2 ½"	DN65	73	158.0	13	M12	M10	3781	12.7 +	70 - 90	60
KLEPCH090	3"	DN80	88.9	171.0	13	M12	M10	4670	12.7 +	70 - 90	40
KLEPCH114	4"	DN100	114.3	204.0	13	M12	M10	6672	12.7 +	70 - 90	25
KLEPCH168	6"	DN150	168.3	265.0	17	M16	M12	11787	12.7 +	70 - 90	12
KLEPCH219	8"	DN200	219.1	333.0	17	M16	M12	18014	12.7 +	70 - 90	6
KLEPCH273	10"	DN250	273.1	387.0	21	M20	M16	26020	12.7 +	70 - 90	5
KLEPCH323	12"	DN300	323.8	463.0	21	M20	M16	35139	12.7 +	70 - 90	5

NOTE:-

- 1). THE SIZES OF CLEVIS HANGER ABOVE 8" WILL BE PROVIDED IN HDPE BAGS CONTAINING 5 PIECES.

