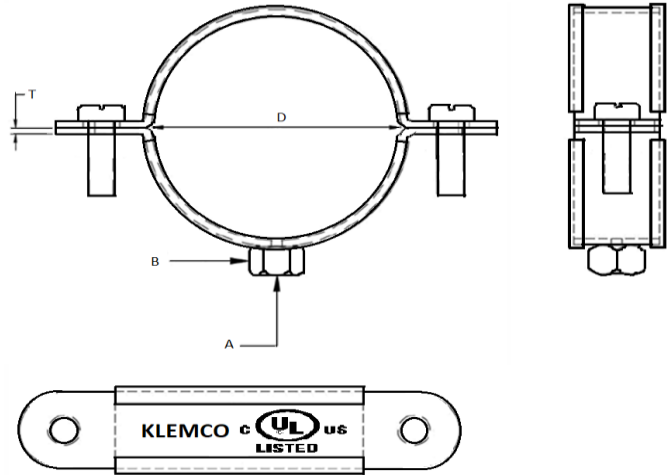
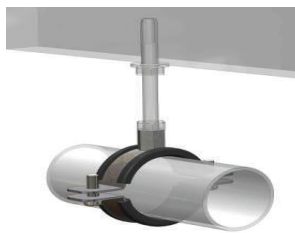




UL NUT CLAMP (SPLIT CLAMP)

FEATURES AND BENEFITS

- * Lock bolts with combi cross recessed head
- * For horizontal and vertical applications
- * Profiled for extra strength
- * Material :- Steel, other material on request
- * Electrogalvanized as per ASTM B 633
- * Temperature resistance from -20 °C to +100 °C
- * Noise reduction upto 18 dB (A)



Product Code	Nominal Pipe Size		PIPE OD (mm)	Range (mm)	Top Nut (B)	Side Screw Size	Max Tested Load (kg)	Microns (μ) EP	Microns (μ) HDG	Box Quantity
	In.	mm								
KLEPNCR034	1"	DN25	33.4	32-36	M10	M6	3336	12.7 +	70 - 90	300
KLEPNCR042	1 ¼"	DN32	42.1	38-43	M10	M6	3336	12.7 +	70 - 90	250
KLEPNCR048	1 ½"	DN40	48.2	47-51	M10	M6	3336	12.7 +	70 - 90	225
KLEPNCR060	2"	DN50	60.3	60-64	M10	M6	3336	12.7 +	70 - 90	160
KLEPNCR073	2 ½"	DN65	73	74-80	M10	M6	3781	12.7 +	70 - 90	150
KLEPNCR090	3"	DN80	88.9	87-92	M10	M6	4670	12.7 +	70 - 90	120
KLEPNCR110	110 MM	110 MM	110	107-112	M10	M6	6672	12.7 +	70 - 90	100

NOTE:-

- 1). TOP NUT IS AS PER CUSTOMERS REQUIRMENT WE PROVIDE M8X10 DUAL NUT, WE CAN ALSO PROVIDE IN HEX NUTS AND ALSO LONG HEX NUTS.
- 2). WE PROVIDE EXTENDED THREADS FOR SIDE SCREW WHICH GIVES MORE STRENGTH AND CHANCES OF SLIPPAGE AT LOAD IS ZERO.
- 3). WE PROVIDE SIDE SCREW WITH NUT ON REQUEST.

