

ELECTROPLATED WASHER (DIN 125/A)

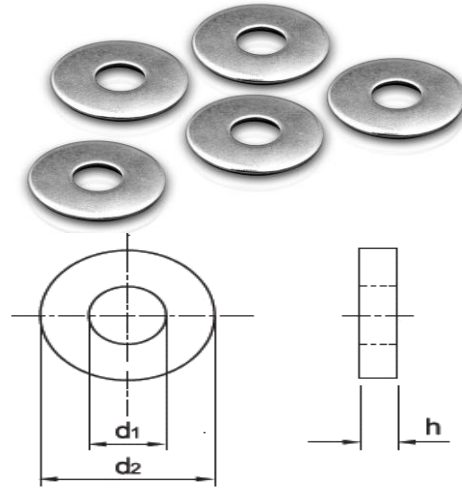
- * Materials :- Mild Steel, Carbon Steel, Alloy Steel & Stainless Steel
- * Standards :- ASTM/ASME/DIN/BS EN ISO /JIS
- * Threads :- UNC,8UN,UNF, Metric Coarse and Metric Fine
- * Size Range :- M6 to M64 in Metric series.
:- ¼" to 2½" in Imperial
:- Bigger sizes can be manufactured as per order.

*** Typical Grades & Standards :-**

- DIN 125/A
- DIN 127/B
- DIN 9021
- ASTM F436 and F436M
- Stainless Steel 304, 304L, 316, 316L, A2-70/80, A4-70/80

*** Offering Information :-**

- Dimensions - Size.
- Standards and Grade
- Finish (Black, GI, Yellow, HDG, Cadmium, Nickel, PTFE etc)



Product Code	Size	Inner Diameter (d1) mm	Outer Diameter (d2) mm	Thickness (h) mm
KLEPW03	M3	3.2	7	0.5
KLEPW04	M4	4.3	9	0.8
KLEPW05	M5	5.3	11	1
KLEPW06	M6	6.4	12	1.6
KLEPW08	M8	8.4	16	1.6
KLEPW10	M10	10.5	20	2
KLEPW12	M12	13	24	2.5
KLEPW14	M14	15	28	2.5
KLEPW16	M16	17	30	3
KLEPW18	M18	19	34	3
KLEPW20	M20	21	37	3
KLEPW22	M22	23	39	3
KLEPW24	M24	25	44	4
KLEPW27	M27	28	50	4
KLEPW30	M30	31	56	4
KLEPW33	M33	34	60	5
KLEPW36	M36	37	66	5
KLEPW39	M39	40	72	6
KLEPW42	M42	43	78	7
KLEPW45	M45	46	85	7
KLEPW48	M48	50	92	8
KLEPW52	M52	54	98	8
KLEPW56	M56	58	105	9
KLEPW64	M64	66	115	9
KLEPW72	M72	74	125	10

NOTE :-

- 1). OTHER DIMENSIONS AVAILABLE ON REQUEST.
- 2). OTHER FINISH ALSO AVAILABLE ON REQUEST.