

TURRENT MOUNT

FEATURE AND BENEFITS

* Rubber mountings are designed to provide superior attenuation of medium to high frequency vibration and noise emanating from wide range of motor driven machines particularly axial and centrifugal fans, high resilience rubber with low dynamic to static stiffness ratio ensures maximum efficiency, good creep performance and long service life.

* Moulded in first grade natural rubber with integral steel base and upper fixing boss. Also available with oil & environment resistant durable neoprene/Nitrile Rubber.

* Manufactured in three sizes, each available in three rubber compounds identified by a colour spot.

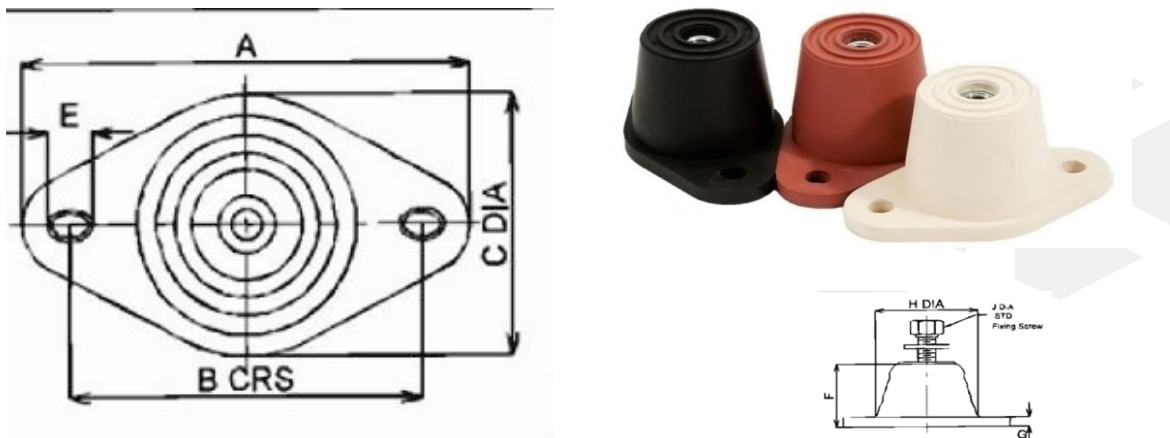
* Static deflections of up to 8mm with loads from 5kg to 400 kg.

* Axial and Centrifugal Fans Air Handling Units

* Air Conditioning equipments Packaged Air Conditioners Floating Floors

* Generators & Mobile Equipments Pumps & Refrigeration Plants

* Rotary and Multi Cylinder Compressors.



Product Code	Colour Code	Rate load	Deflection at Rate	Nominal Dimension (mm)								Approx Wt. (kg)	
				A	B	C	D	E	F	G	H		J
KLTM028	YELLOW	28	6	80	57	45	9	12	32	5	41	M8 X 20	0.11
KLTM050	BLUE	50											
KLTM080	RED	80											
KLTM110	YELLOW	110	8	95	71	60	9	14	45	5	56	M10 X 25	0.25
KLTM180	BLUE	180											
KLTM280	RED	280											
KLTM150	YELLOW	150	8	150	115	86	11	22	70	6	82	M12 X 30	0.73
KLTM260	BLUE	260											
KLTM400	RED	400											

NOTE:-

- 1) Due to policy of continual improvement, the specifications are subject to change without prior notice.
- 2) Measurements are subject to 5% tolerance.
- 3) To achieve good sound suppressions do not over load fitting.