

DUCT MOUNT

FEATURE AND BENEFITS

- * Duct Hanger consist of a resilient rubber mountheld between two plated steel caps.
- * For uniform distribution of load.If has an integral extended rubber sleeve which prevents direct.
- * Metal-to-metal contact,thereby minimising transmission of noise and vibration.

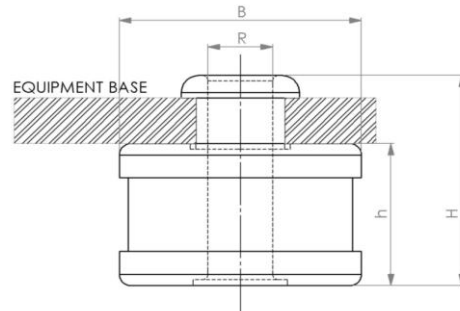
TYPICAL APPLICATIONS

SUSPENSION OF

- * Fan Coil Units
- * Pipes
- * Ducts
- * Brackets
- * Light Weight Equipment

FLOOR MOUNTING OF (using rubber element only)

- * Refrigerators
- * Domestic Appliances
- * Industrial Equipments



Product Code	B	H	h	R	Deflection	Max Load (N)
	mm	mm	mm	mm	mm	
KLDM9	41	37	25	M10	4	900
KLDM6	32	27	19	M10	4	600

NOTE:-

- 1) Due to policy of continual improvement, the specifications are subject to change without prior notice.
- 2) Measurements are subject to 5% tolerance.
- 3) To achieve good sound suppressions do not over load fitting.