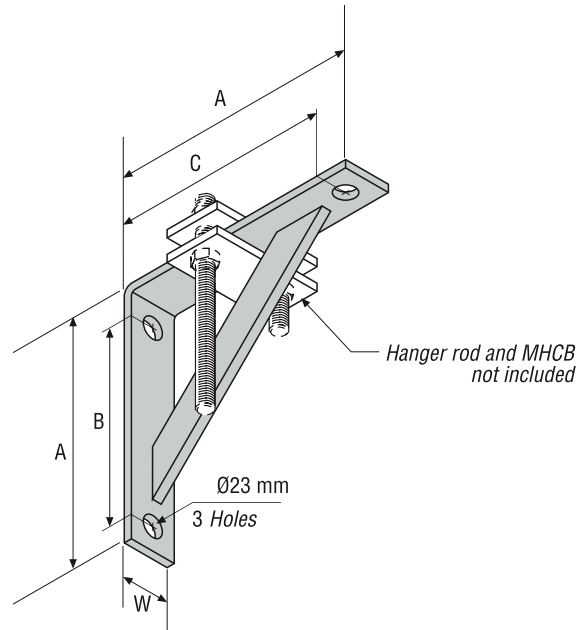


# LIGHT WELDED STEEL BRACKET

**MATERIAL :** Mild Steel.

**FINISH AVAILABLE :**  
Electro-Galvanized /Hot Dip Galvanized

**SERVICE :**  
Design for suspend hanger rod for support of lights loads under 3.33 kN from a wall or structure.



**Dimensions :**

Product Code	A mm	B mm	C mm	W mm	Design Load (kN)
KI- LWSB 50	229	155	203	50	3,33
KI- LWSB 50	330	257	305	50	3,33
KI- LWSB 50	483	409	457	50	3,33