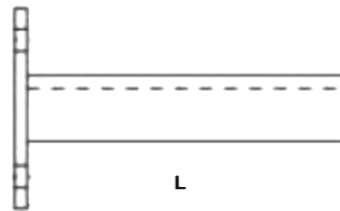
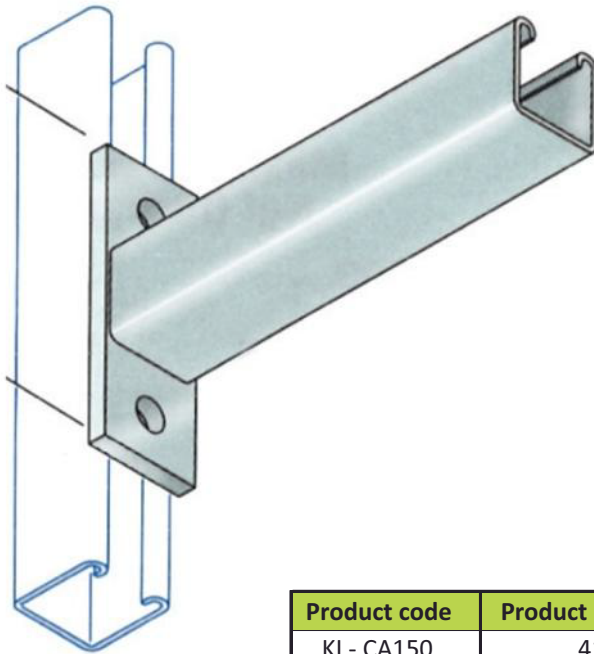


# CANTILEVER ARMS

**APPLICATION :** Provides strength and stability to various support system application.

**MATERIAL :** Mild Steel. Also other materials can also be provided on request

**FINISH AVAILABLE :** Plain, Hot Dip Galvanized As per ASTM A123, Electro-Galvanized as per ASTM B633.



Product code	Product Description	Length
KI - CA150	41 X 41	150
KI - CA300	41 X 41	300
KI - CA450	41 X 41	450
KI - CA600	41 X 41	600
KI - CA750	41 X 41	750
KI - CA900	41 X 41	900

\*All Random length are available

**NOTE :** Any non standard size also can manufacture.